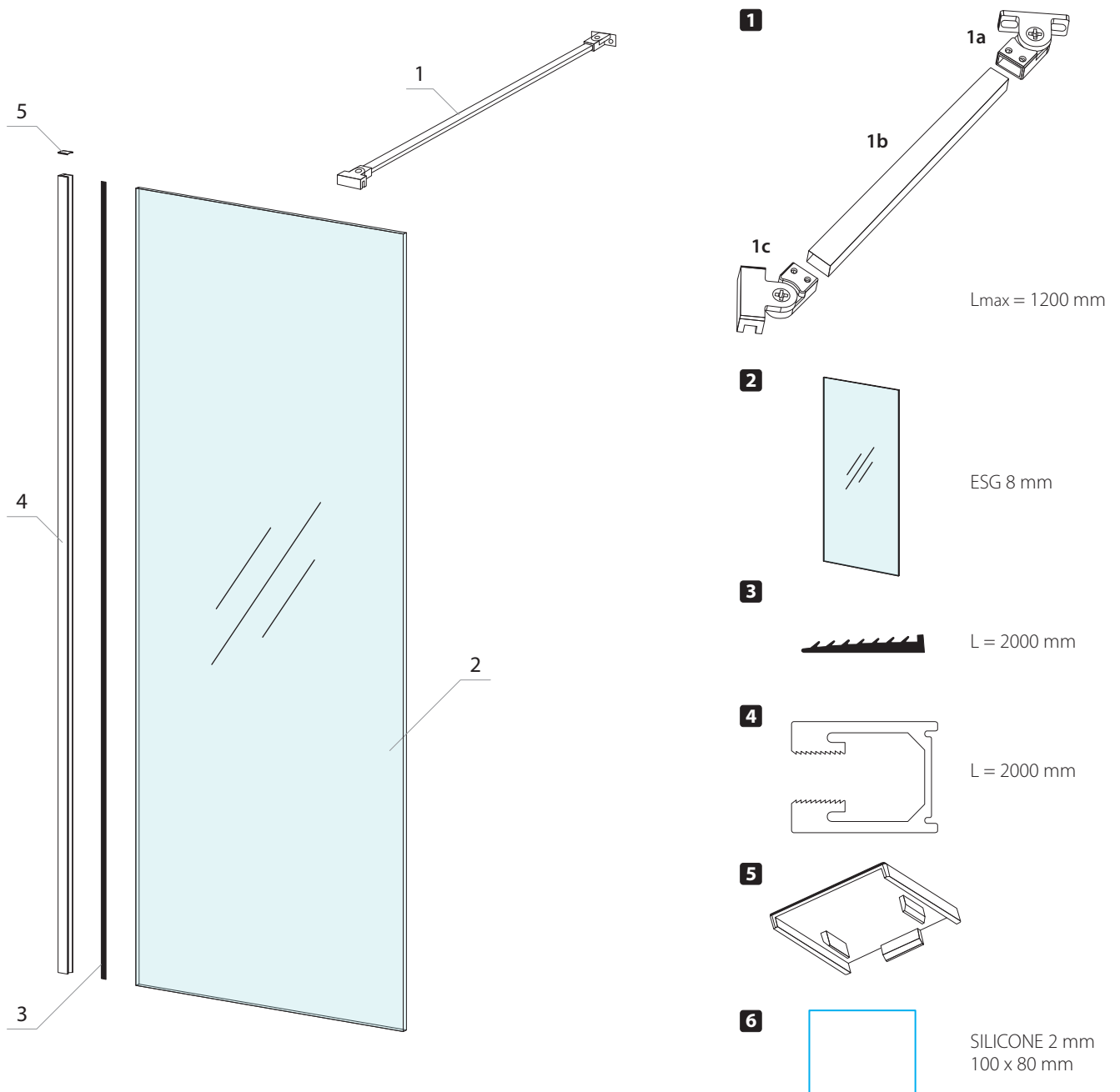


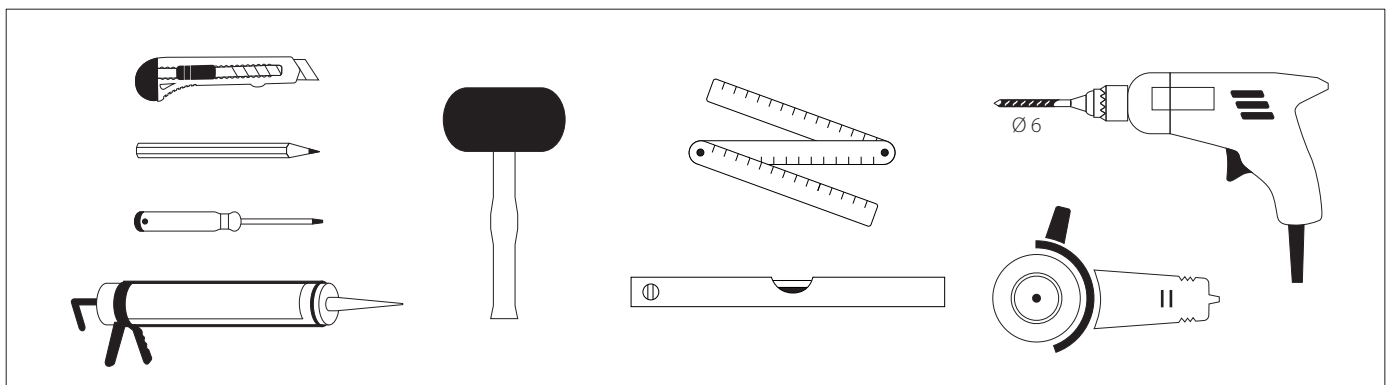
INSTALLATION INSTRUCTIONS

Walk-in shower cabin VERRE

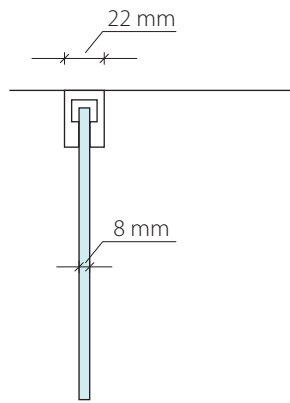
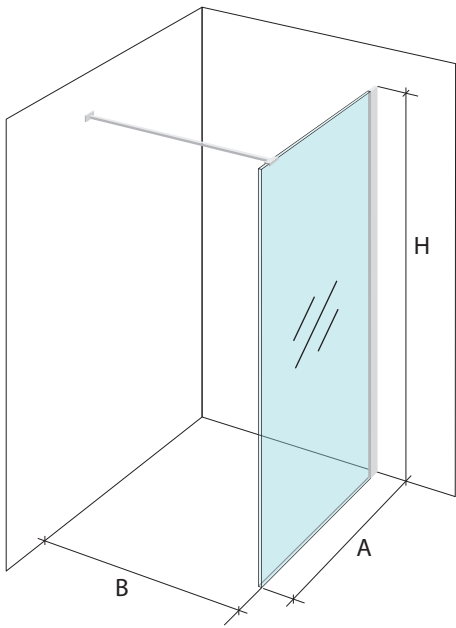
Contents of the set



The tools you need



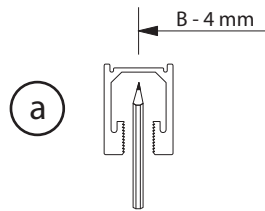
1 Determining the width of the cabin



Walk-in dimensions [cm]

cabin	A	B max	H
50 x 200	47,5 - 49	120	200
60 x 200	57,5 - 59	120	200
70 x 200	67,5 - 69	120	200
80 x 200	77,5 - 79	120	200
90 x 200	87,5 - 89	120	200
100 x 200	97,5 - 99	120	200
110 x 200	107,5 - 109	120	200
120 x 200	117,5 - 119	120	200
130 x 200	127,5 - 129	120	200
140 x 200	137,5 - 139	120	200
150 x 200	147,5 - 149	120	200
160 x 200	157,5 - 159	120	200

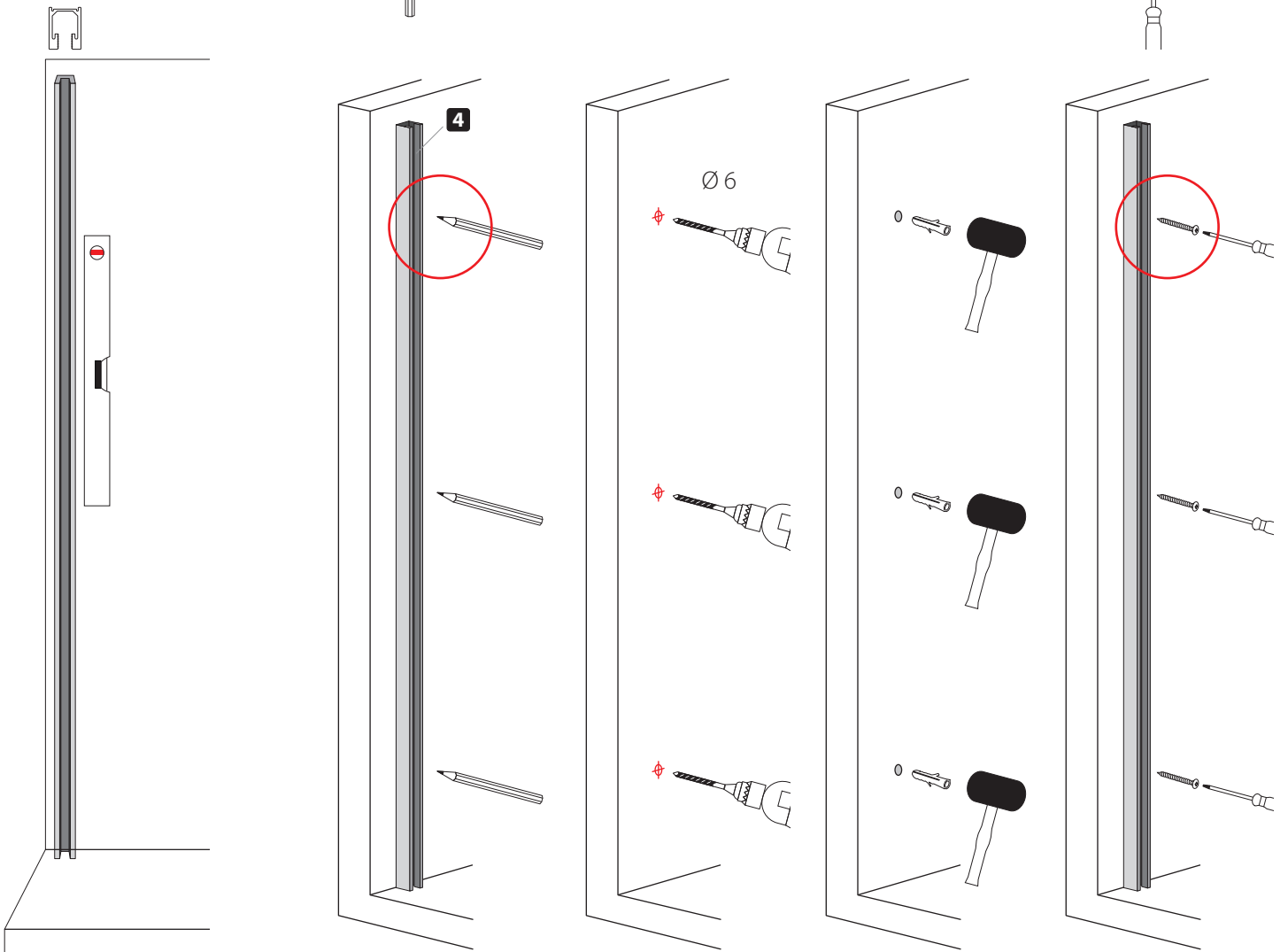
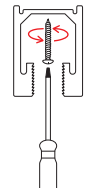
2 Profile assembly



(b)

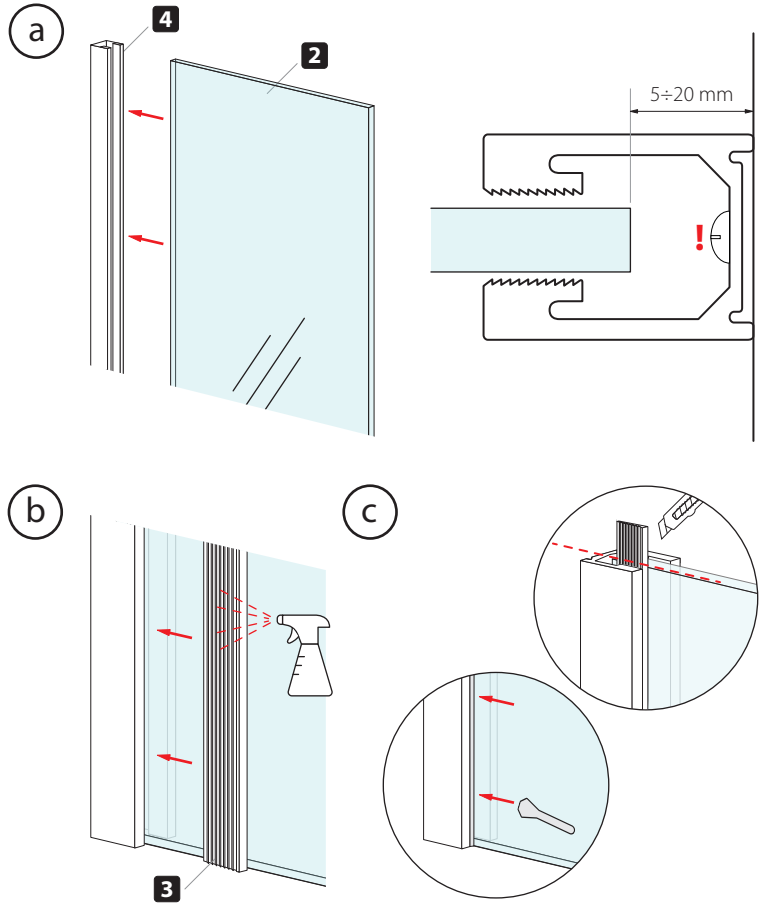
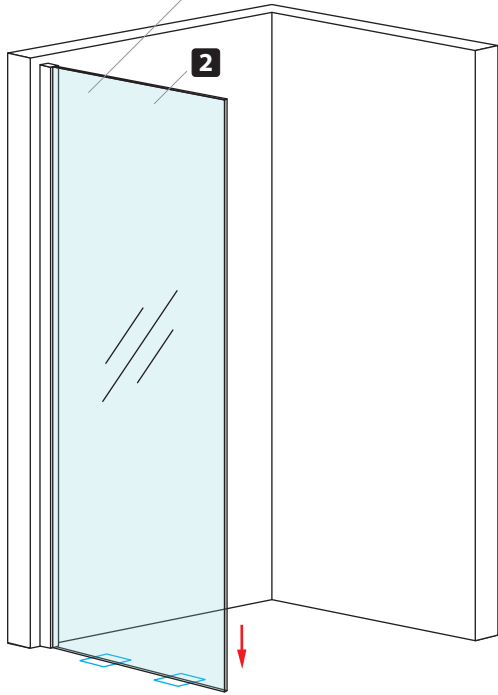
(c)

(d)

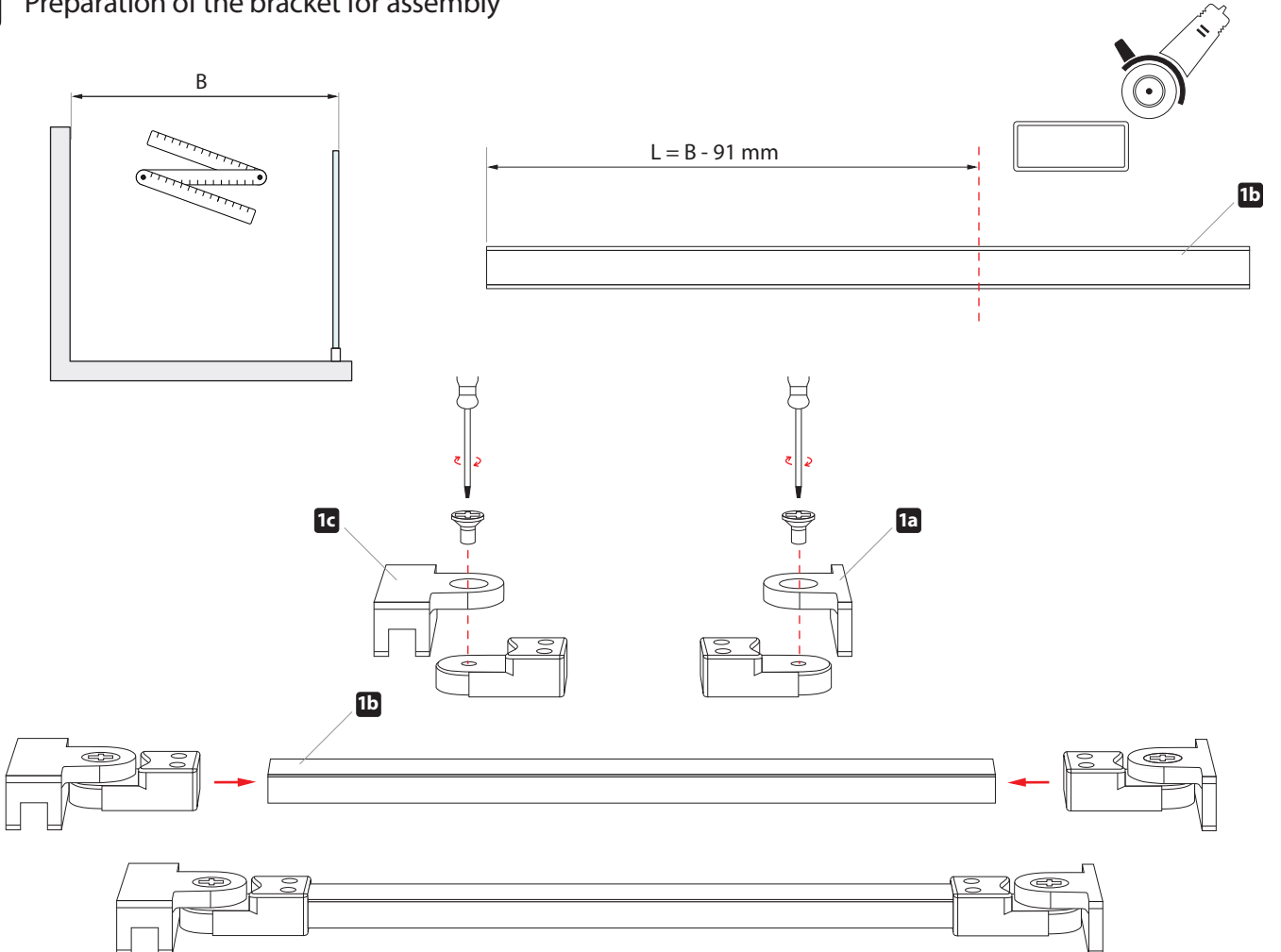


3 Glass assembly

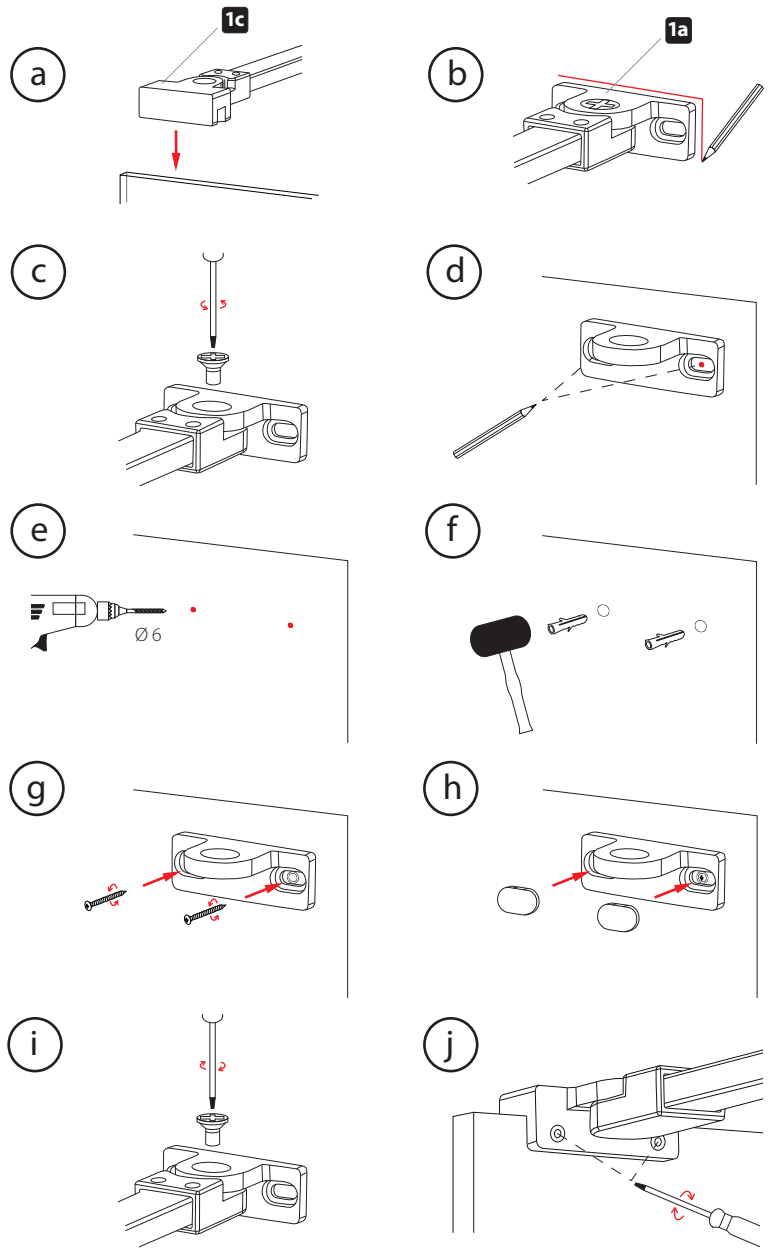
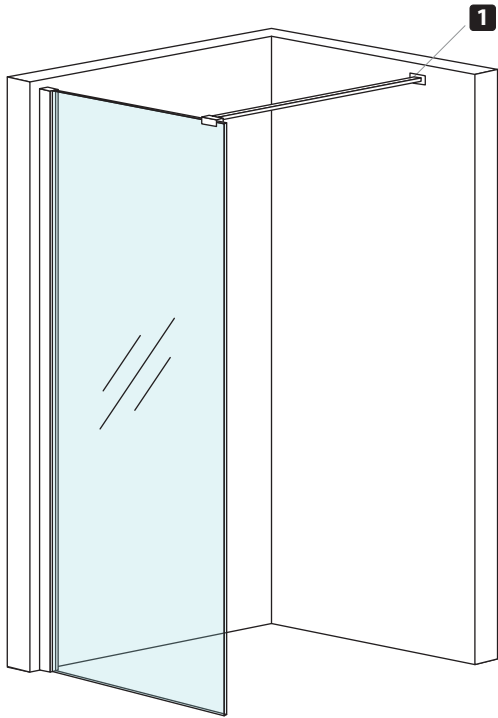
Active Shield hybrid protective coating against dirt



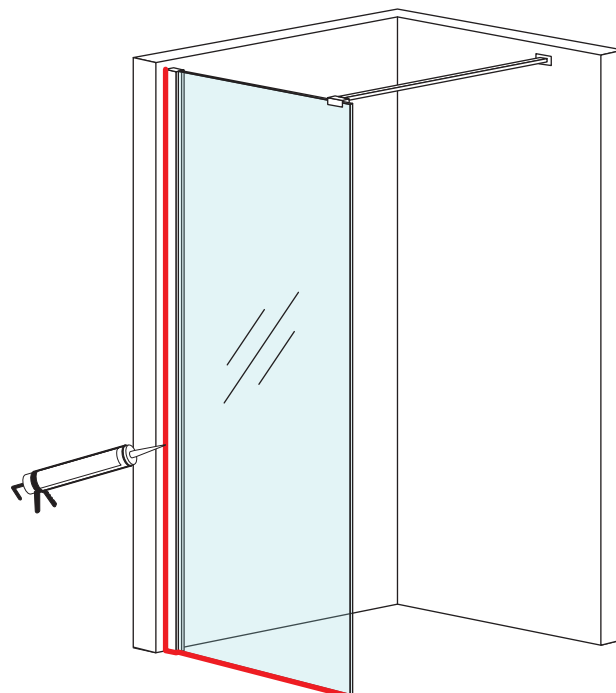
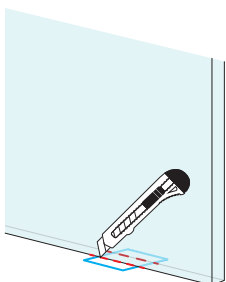
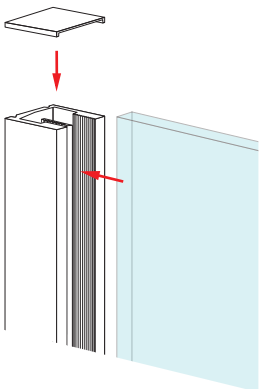
4 Preparation of the bracket for assembly



5 Bracket assembly



6 Cabin seal



24 h