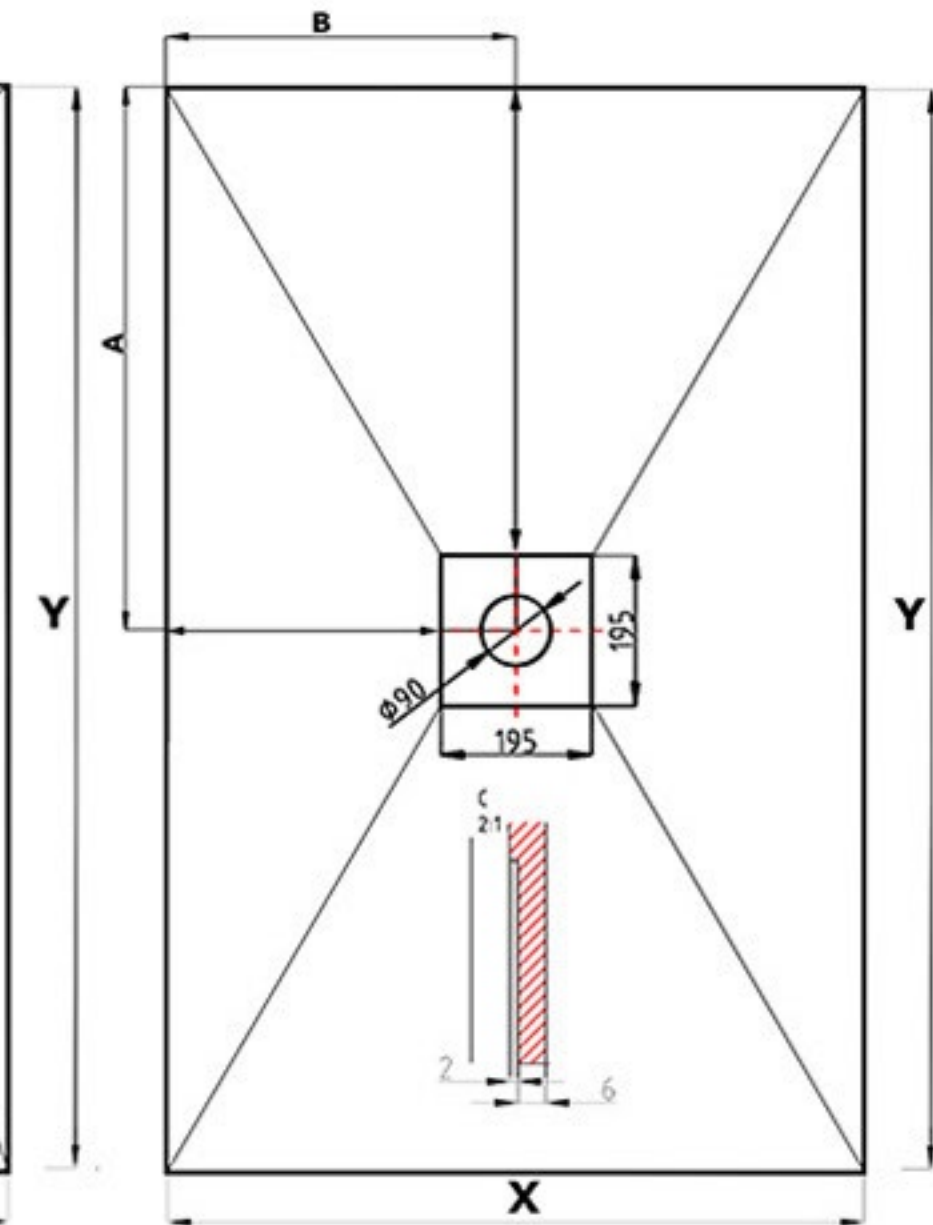
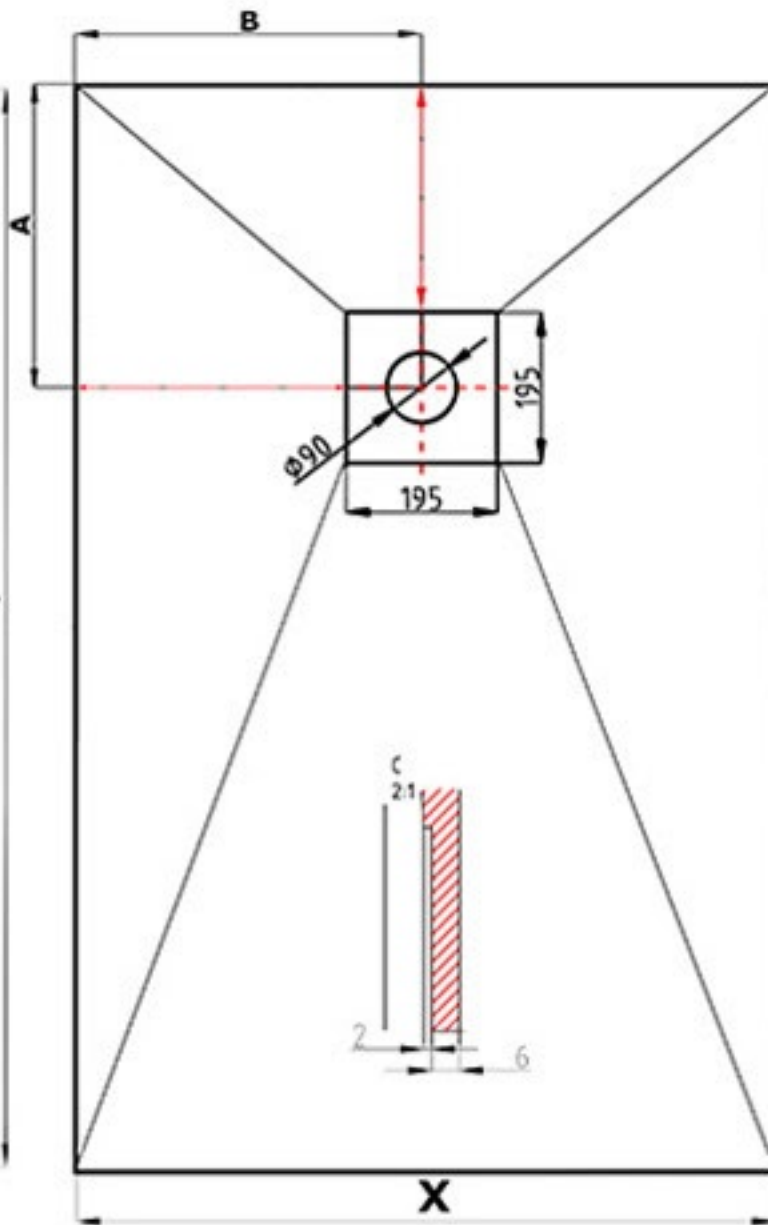
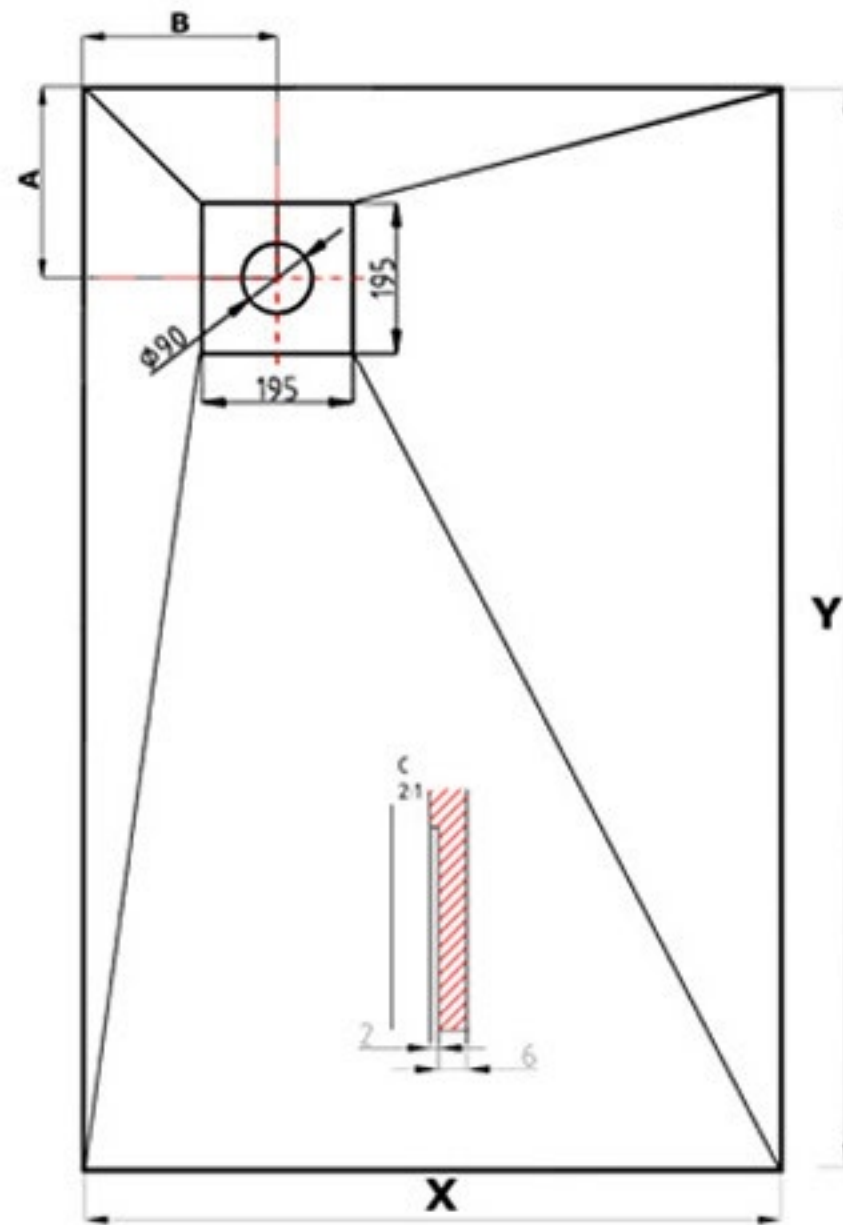


# CORNER

# OFFSET

# CENTRAL



**X: 1200 [mm]**  
**Y: 1200 [mm]**  
**A: 225 [mm]**  
**B: 225 [mm]**

**X: 1200 [mm]**  
**Y: 1200 [mm]**  
**A: 225 [mm]**  
**B: 600 [mm]**

**X: 1200 [mm]**  
**Y: 1200 [mm]**  
**A: 600 [mm]**  
**B: 600 [mm]**

